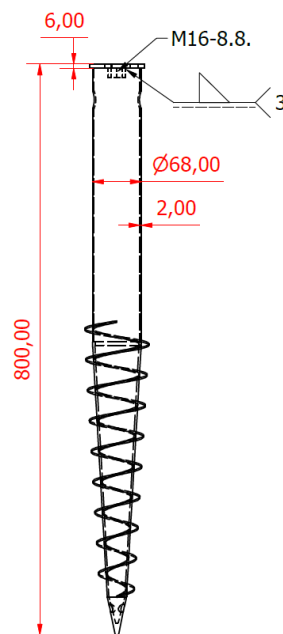
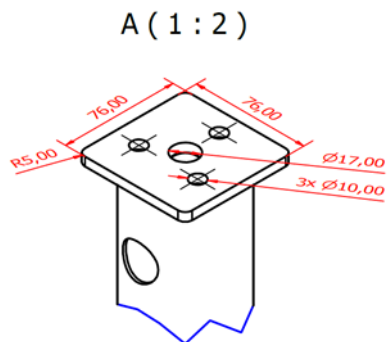
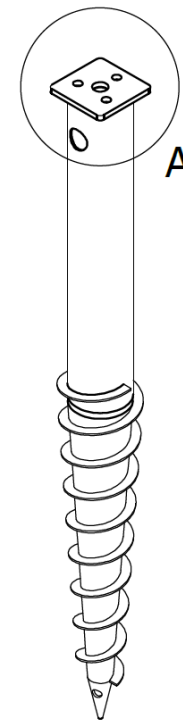


TECHNICAL DATA SHEET

GROUND SCREW flange 76x76x6mm Ø68 x 800mm



Art. no:	11007
Weight:	3,00 kg
Dimensions:	Pipe: 68,0 x 2,0 x 800 mm
Materials:	Steel Type Pipe: S235 Surface treatment: Galvanized according to DIN EN ISO 1461
Installation:	Manual (Art.No: 12050) Electric (Art.No: 12113, 12114)
Use:	Light construction e.g. playgroundsets, sheds and deckings.
Fixation:	M16 Bolt



Drawing description	GROUND SCREW flange 76x76x6mm Ø68 x 800mm	
Date	Signed	Sheet number
09/2021	DVDE	1 of 1
Drawing number	Format	Document status
11007-V1	A4	DEF.

Products to combine:

- 17024 (L-120x80x105mm M16)
- 17032 (L-75x95x40mm M16)

FIRST BASE GROUND SCREWS
Liessentstraat 9a, 5405 AH
Uden, Holland.

info@firstbasegroundscrews.com
www.firstbasegroundscrews.com
0031 413 432 052