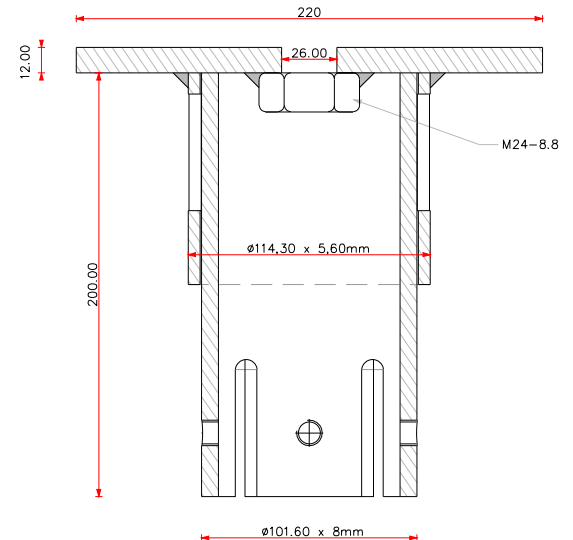
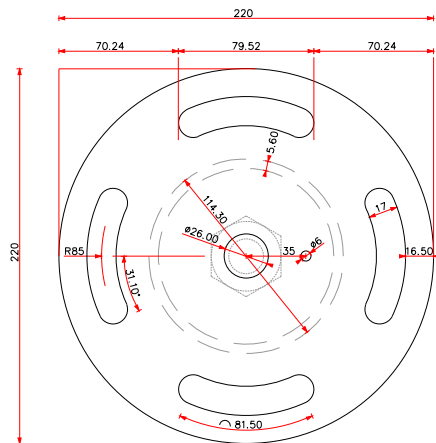


<b>Art. no:</b>	58421
<b>Weight:</b>	10,00 kg
<b>Dimensions:</b>	Pipe: 114,3 x 5,6 x 100 mm Flange: 12,0 x 220 mm
<b>Materials:</b>	Steel Type Pipe: S235 Steel Type Flange: S355 Surface treatment: Galvanized according to DIN EN ISO 1461
<b>Installation:</b>	Pneumatic Ground Screw Driving Machine (Art.No: 12005) Hydraulic Ground Screw Driving Machine (Art.No: 12090)
<b>Use:</b>	Light construction e.g. porches, garden rooms and modular homes.
<b>Fixation:</b>	M16 / M24 Bolts

Cross cut view



Top view flange



<b>Drawing description</b>	PRO-SERIES ROUND FLANGE V-114 x 220mm	
<b>Date</b>	<b>Signed</b>	<b>Sheet number</b>
12/2018	DVDE	6 of 6
<b>Drawing number</b>	<b>Format</b>	<b>Document status</b>
58421-V1	A4	DEF.

**Products to combine:**

- 58401/58402 – V-114 GROUND SCREWTIPS
- 58411/58414 – V-114 EXTENSIONS
- 17021 – POLEHOLDER M20
- 17022 – L-BRACKET M16 80mm
- 17023 – L-BRACKET M16 160mm
- 70259 – HEA BEAM CLAMP M10-M12