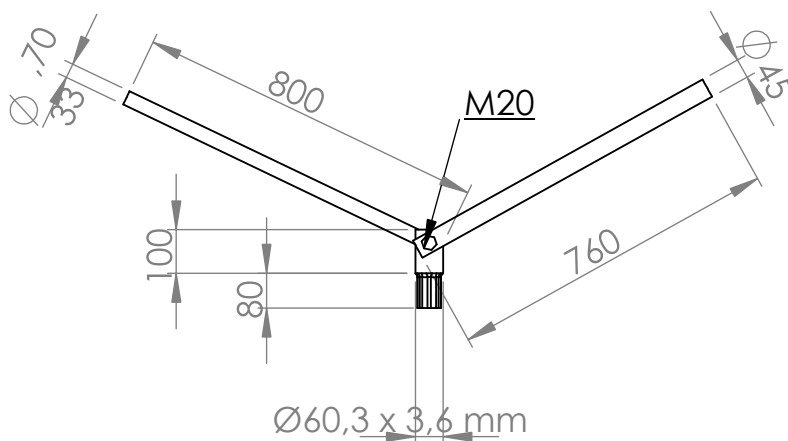
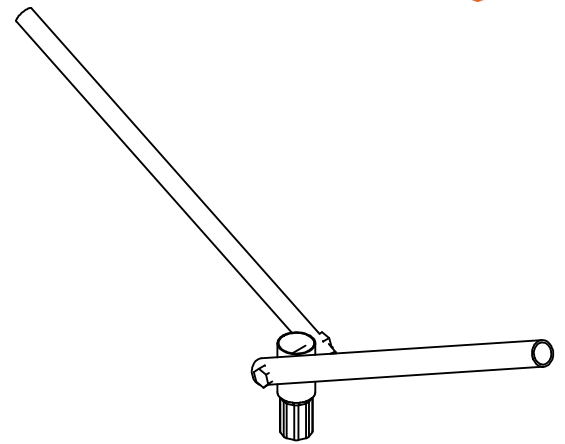


TECHNICAL DATA SHEET

D-I-Y GROUND SCREW MANUAL INSTALLATION TOOL



Art. no:	58199
Weight:	4,50 kg
Dimensions:	Pipe: 60,3 x 880 x 3,6 mm
Materials:	Steel Type Pipe: S235 Surface treatment: Galvanized according to DIN EN ISO 1461
Installation:	Manual (Art.No: 58199)
Use:	Installation tool for the FIRST BASE D-I-Y Series.
Fixation:	M20 Bolt



Drawing description	D-I-Y GROUND SCREW MANUAL INSTALLATION TOOL	
Date	Signed	Sheet number
12/2018	DVDE	1 of 1
Drawing number	Format	Document status
58199-V1	A4	DEF.

Products to combine:

- 58101 - V-63 GROUND SCREW 580mm
- 58111 - V-63 EXTENSION 250mm
- 58112 - V-63 EXTENSION 500mm

FIRST BASE GROUND SCREWS
Patersweg 2, 5406 XJ
Uden, Holland.

info@firstbasegroundscrews.com
www.firstbasegroundscrews.com
0031 413 432 052