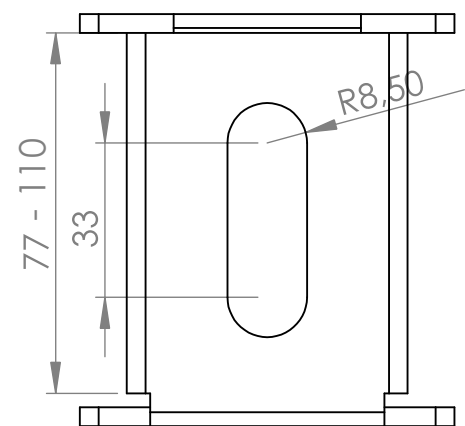
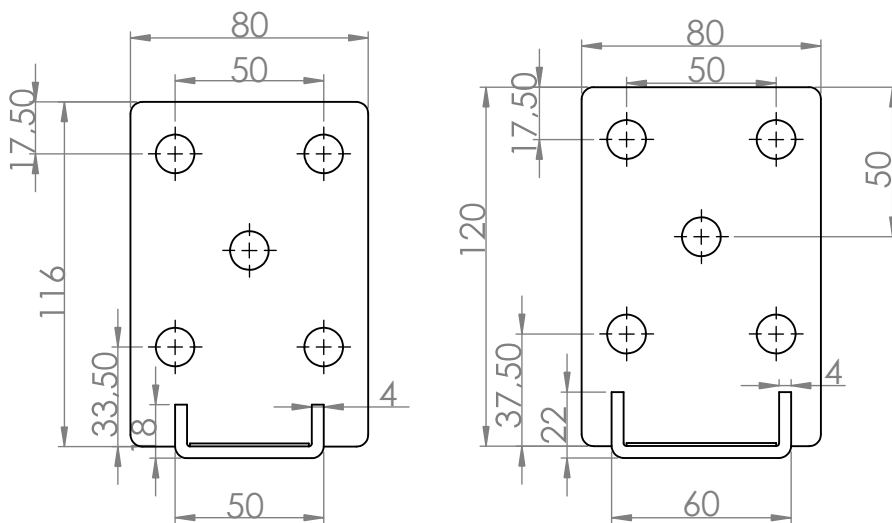
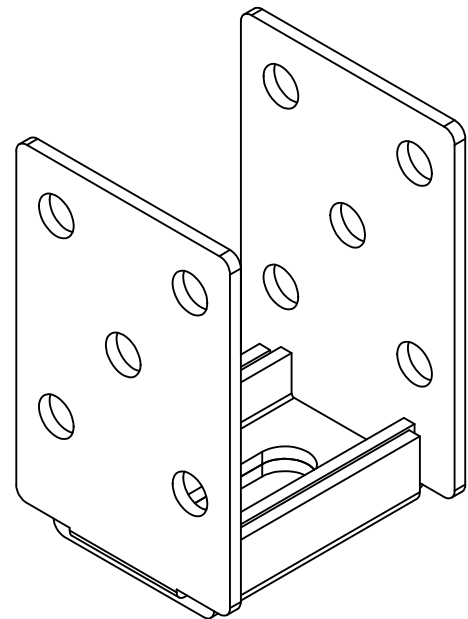


TECHNICAL DATA SHEET

D-I-Y L/U BRACKET



Art. no:	58131
Weight:	0,65 kg
Dimensions:	Thread: 200,0 x 16,0 mm (M16) Flange: 90,0 x 90,0 x 5,0 mm
Materials:	Steel Type: S235 Surface treatment: Galvanized according to DIN EN ISO 1461
Installation:	Manual (Art.No: 58199)
Use:	Fixation of wooden columns and poles.
Fixation:	M10 Bolts



Drawing description		
D-I-Y L/U BRACKET		
Date	Signed	Sheet number
12/2018	DVDE	1 of 2
Drawing number	Format	Document status
58131-V1	A4	DEF.

Products to combine:

58121 - V-63 FLAT-TOP FLANGE

FIRST BASE GROUND SCREWS  
Patersweg 2, 5406 XJ  
Uden, Holland.

[info@firstbasegroundscrews.com](mailto:info@firstbasegroundscrews.com)  
[www.firstbasegroundscrews.com](http://www.firstbasegroundscrews.com)  
0031 413 432 052