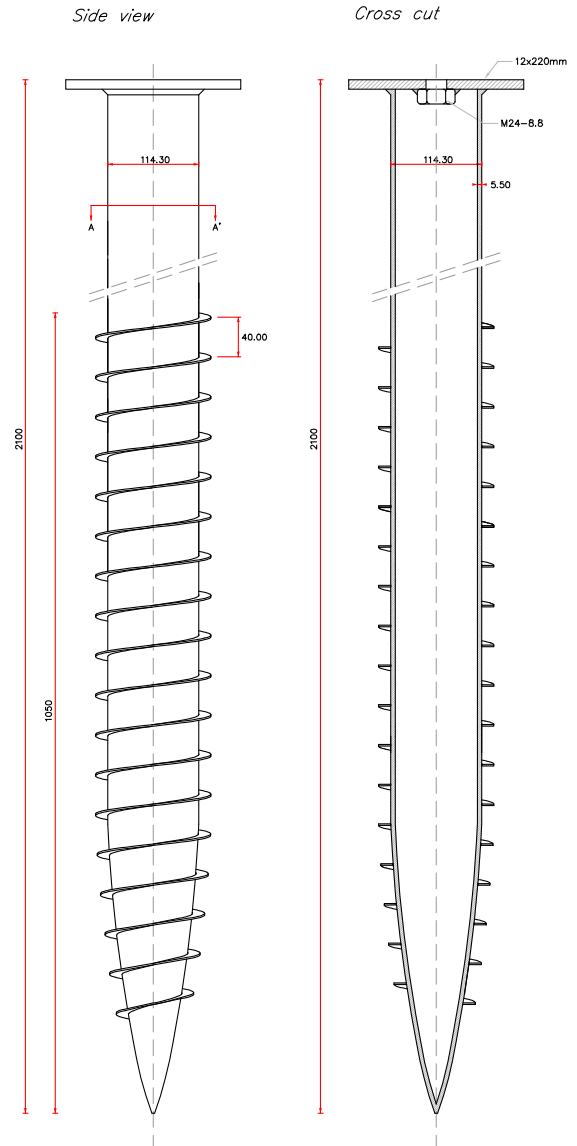
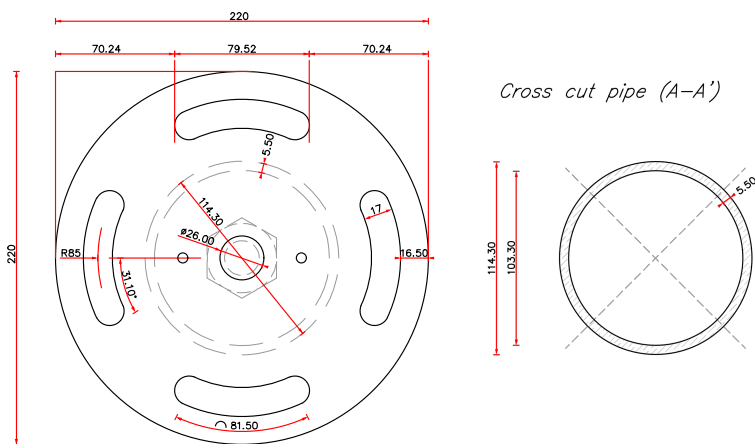




|                      |   |
|----------------------|---|
| <b>Art. no:</b>      | 31051   |
| <b>Weight:</b>       | 28,00 kg  |
| <b>Dimensions:</b>   | Pipe: 114,3 x 5,5 x 2100 mm<br>Flange: 12,0 x 220 mm  |
| <b>Materials:</b>    | Steel Type Pipe: S235<br>Steel Type Flange: S355<br>Surface treatment: Galvanized according to DIN EN ISO 1461  |
| <b>Installation:</b> | Electric Ground Screw Driving Machine (Art.No: 12001)<br>Pneumatic Ground Screw Driving Machine (Art.No: 12005)<br>Hydraulic Ground Screw Driving Machine (Art.No: 12090) |
| <b>Use:</b>          | Light construction e.g. porches, garden rooms and modular homes.  |
| <b>Fixation:</b>     | M16 / M24 Bolts   |



Part 1 – Top view flange



|                            |  |                        |
|----------------------------|--|------------------------|
| <b>Drawing description</b> | PRO-SERIES GROUND SCREW<br>Ø114 x 2100mm |                        |
| <b>Date</b>                | <b>Signed</b>                            | <b>Sheet number</b>    |
| 12/2018                    | DVDE                                     | 3 of 3                 |
| <b>Drawing number</b>      | <b>Format</b>                            | <b>Document status</b> |
| 31051-V1                   | A4                                       | DEF.                   |

FIRST BASE GROUND SCREWS  
Patersweg 2, 5406 XJ  
Uden, Holland.

[info@firstbasegroundscrews.com](mailto:info@firstbasegroundscrews.com)  
[www.firstbasegroundscrews.com](http://www.firstbasegroundscrews.com)  
0031 413 432 052

**Products to combine:**

- 17021 – POLEHOLDER M20
- 17022 – L-BRACKET M16 80mm
- 17023 – L-BRACKET M16 160mm

[Click here](#) for the FIRST BASE Load Capacity Chart